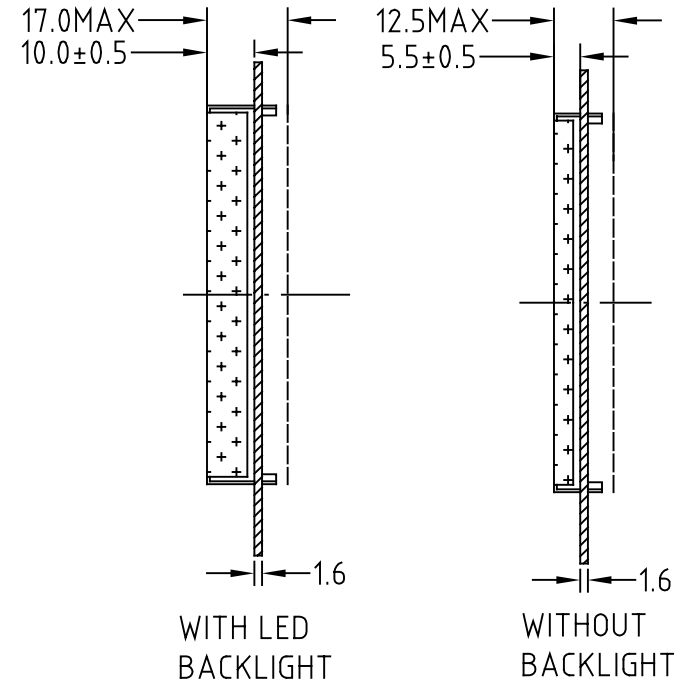
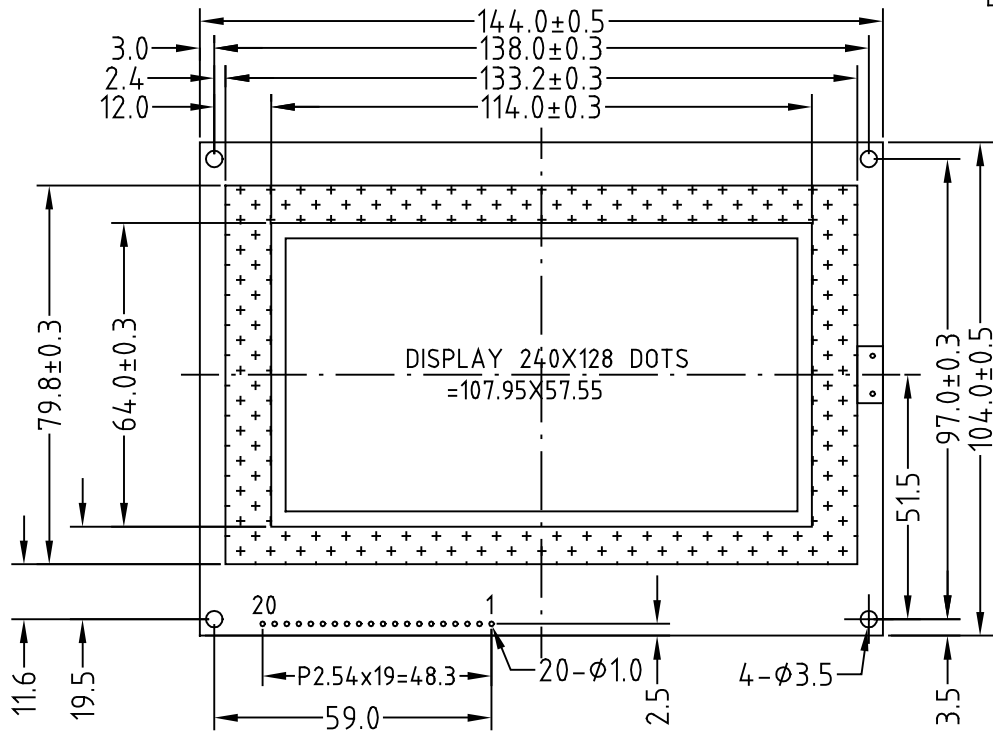
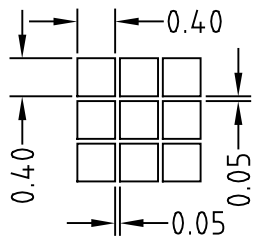



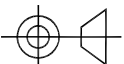
REV	Description	Date
A00	First Issue	2002-JUN-18



PIN#	1	2	3	4	5	6	7	8	9	10	11	12	13	14	15	16	17	18	19	20
NAME	VSS	VDD	Vadj	C/D	/RD	/WR	DB0	DB1	DB2	DB3	DB4	DB5	DB6	DB7	/CE	/RES	VEE	MD2	FS	LED+

Controller: Toshiba T6963C (OR EQUIVALENCE)



Description:		MECHANICAL SPECIFICATIONS	
Scale:		 TRI-T COMPANY LIMITED	
Sheet : 1 of 1			
Unspecified Tol. ±0.3	Unit mm		
Approvals	Date	Project Number	Item Number
Draw:		TMBG240128TA-XX	
Check:			
Approve:		Do Not Scale This Drawing	
			 Projection