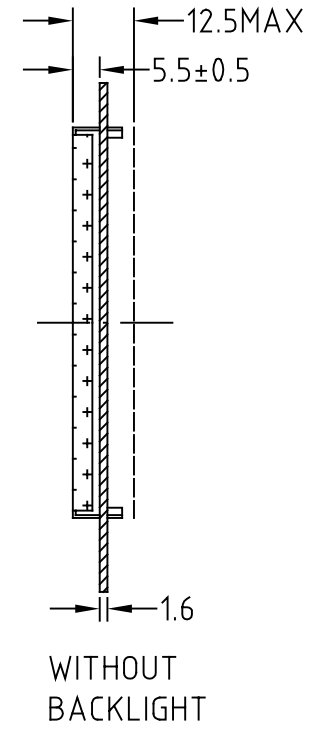
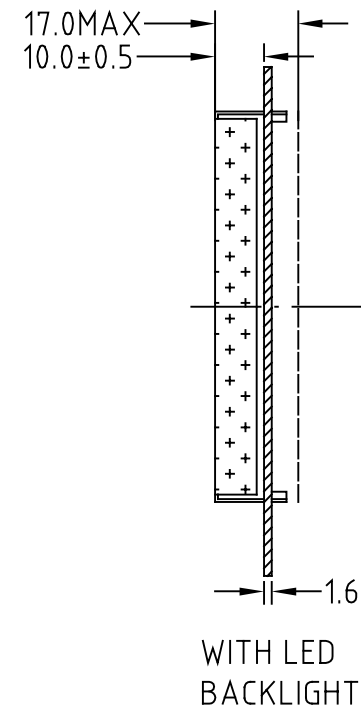
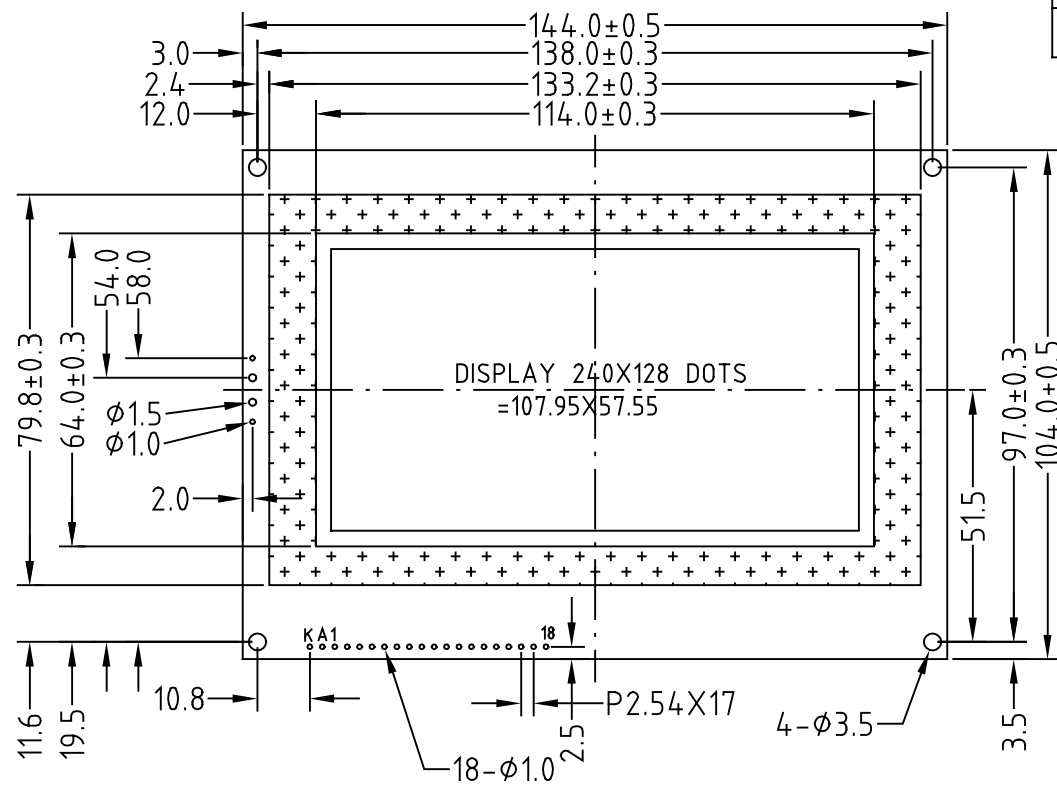
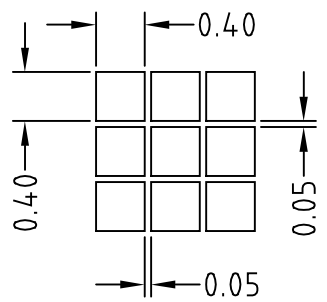


REV	Description	Date
A00	First Issue	2002-OCT-15



PIN#	1	2	3	4	5	6	7	8	9	10	11	12	13	14	15	16	17	18	K	A
NAME	FG	VSS	VDD	V0	/WR	/RD	/CE	C/ \bar{D}	/RST	DB0	DB1	DB2	DB3	DB4	DB5	DB6	DB7	FS	LED-	LED+

Controller: Toshiba T6963C (OR EQUIVALENCE)



Description: MECHANICAL SPECIFICATIONS		TRI-T COMPANY LIMITED		 Projection
Scale:	Sheet : 1 of 1			
Unspecified Tol. ±0.3	Unit mm	TMBG240128T-XX		
Approvals	Date	Do Not Scale This Drawing		
Draw:				
Check:				
Approve:				