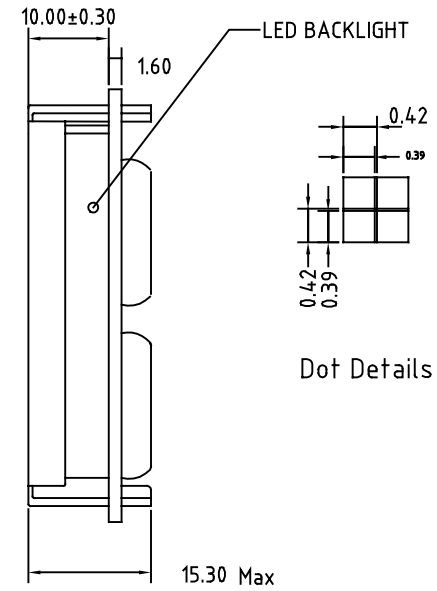
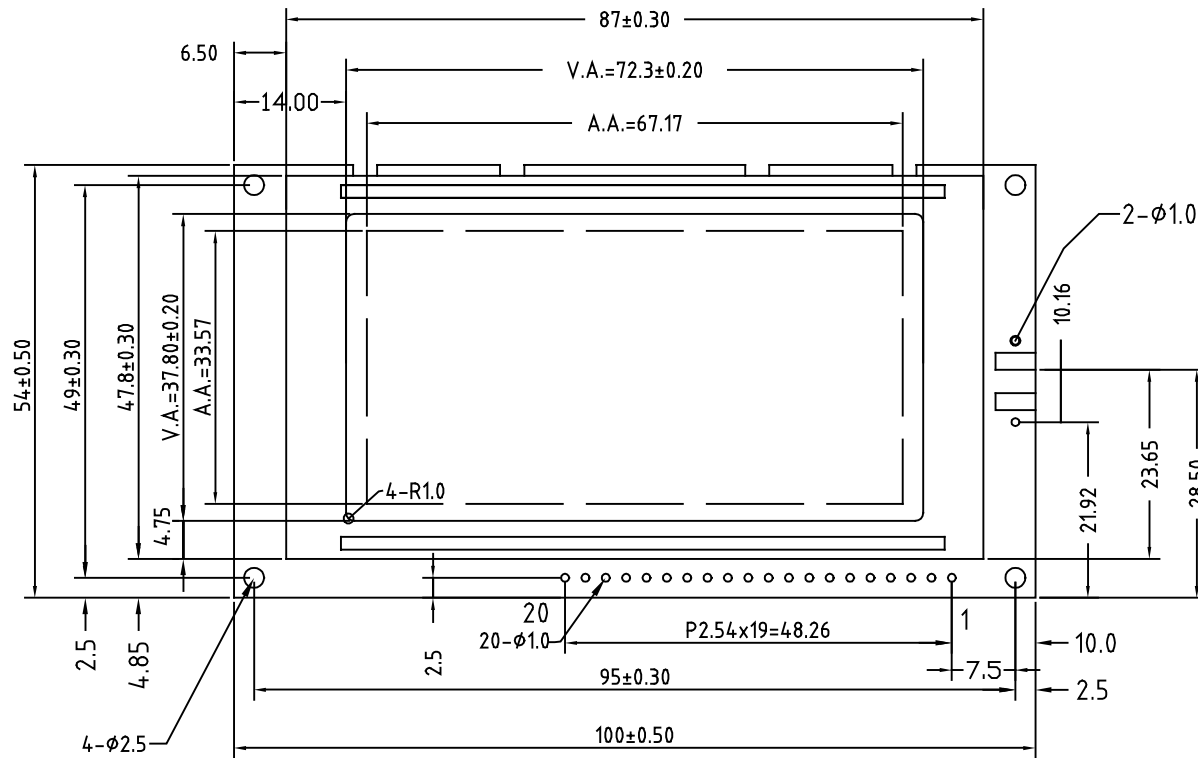



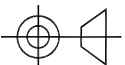
REV	Description	Date
A00	First Issue	2003-MAR-07



PIN ASSIGNMENT:

PIN NO	1	2	3	4	5	6	7	8	9	10-17	18	19	20
NAME	VEE	VSS	VDD	VADJ	/WR	/RD	/CE	C/D	/RST	DB0 ~ DB7	FS	LED+	LED-

Controller: Toshiba T6963C (OR EQUIVALENCE)

Description:		MECHANICAL SPECIFICATIONS	
Scale:		 TRI-T COMPANY LIMITED	
Sheet : 1 of 1			
Unspecified Tol. ± 0.3	Unit mm	Project Number	Item Number
Approvals	Date	TMBG16080T-XX	
Draw:		 Projection	
Check:			
Approve:		Do Not Scale This Drawing	